

TECHNICAL DATA SHEET



TJ SERIES

VERTICAL LIQUID COLUMN MANOMETERS

The TJ range of vertical liquid column manometers, developed and manufactured by KIMO, are mainly for measuring variations of pressure, depression or differential pressure of air or gas within measurement ranges which vary according to the type of manometric liquid used : AWS 10, VOLT 1S or MERCURY.
(See table below).

- "J"- shaped column for direct measuring.
- Zero adjustment by moving the slide strip.
- For fixed use regardless of the manometric liquid used.
- For portable use with the TJ model using VOLT 1S liquid.
- Comes with a white PVC support, 2 screws and 2 rawlplugs, two 487 connectors and a bottle of liquid.

MEASUREMENT RANGE

| | | | TJ 100 | TJ 150 | TJ 200 | TJ 300 | TJ 400 | TJ 600 | TJ 800 | TJ 1000 |
|-----------------------|---|-------|--------|--------|--------|--------|--------|--------|--------|---------|
| AWS 10 LIQUID | MEASUREMENT RANGE | mm CE | 0-100 | 0-150 | 0-200 | 0-300 | 0-400 | 0-600 | 0-800 | 0-1000 |
| | | mbar | 0-10 | 0-15 | 0-20 | 0-30 | 0-40 | 0-60 | 0-80 | 0-100 |
| | | In WG | 0-4 | 0-6 | 0-8 | 0-12 | 0-16 | 0-24 | 0-32 | 0-40 |
| | Resolution : 1 mm CE or 0.5 mbar or 0.1 In WG | | | | | | | | | |
| VOLT 1S LIQUID | MEASUREMENT RANGE | mm CE | – | – | 0-450 | 0-650 | 0-850 | 0-1300 | 0-1750 | 0-2150 |
| | | mbar | – | – | 0-45 | 0-65 | 0-85 | 0-130 | 0-175 | 0-215 |
| | | In WG | – | – | 0-17 | 0-26 | 0-34 | 0-52 | 0-68 | 0-85 |
| | Resolution : 5 mm CE or 1 mbar or 0.1 In WG | | | | | | | | | |
| MERCURY | MEASUREMENT RANGE | mm HG | – | – | 0-230 | 0-350 | 0-460 | 0-690 | 0-920 | 0-1160 |
| | | mbar | – | – | 0-310 | 0-470 | 0-620 | 0-920 | 0-1230 | 0-1550 |
| | | In WG | – | – | 0-9 | 0-14 | 0-18 | 0-27 | 0-36 | 0-46 |
| | Resolution : 1 mm HG or 10 mbar or 0.1 In WG | | | | | | | | | |

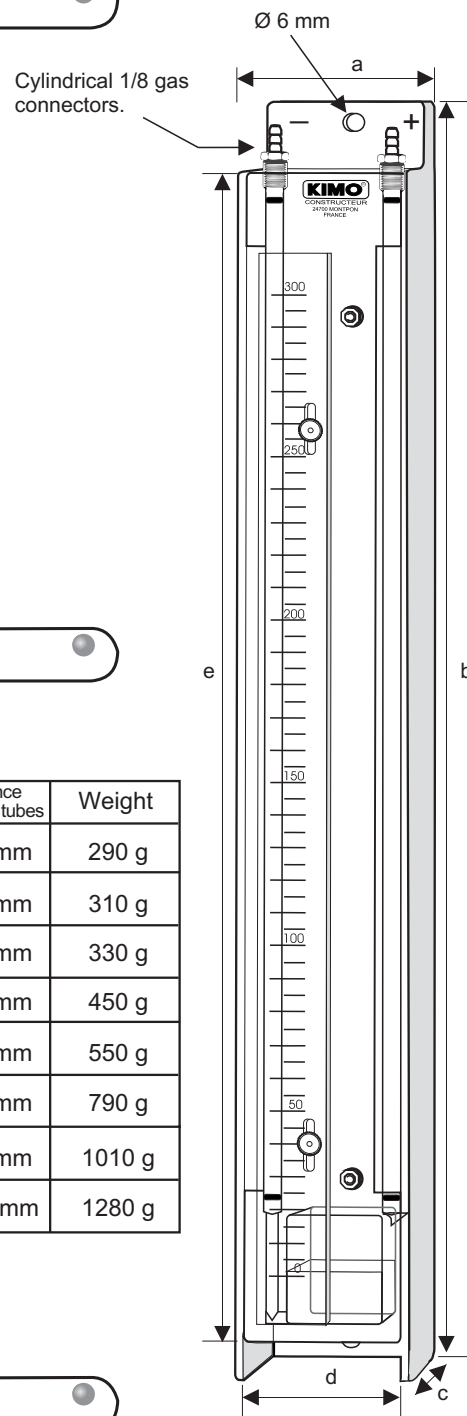


CHARACTERISTICS

- Recommended range of use : +5 to 30°C.
- Possible range of use : -30 to 60°C.
- Maximum static pressure : 6 bars.
- Manometer body : 15 mm thick transparent Altuglas.
- Liquid column : Ø 4mm tube in extruded Altuglas.
- Graduated slide strip : transparent Altuglas. Cross-section 23 x 3 mm.
- Zero adjustment by moving the graduated slide strip, travel 15 mm. Fixed in place via milled, nickel-plated brass screw.
- Reservoir capacity : 20 ml.
- Connection : Ø 5x8 mm semi-rigid crystal tube on Ø 6.2 nickel-plated brass ribbed connectors (for manometers using AWS 10 or VOLT 1S liquid) or in Delrin (for mercury manometer), 1/8 gas thread.
- Wall mounting with or without white PVC support.

DIMENSIONS

| REFERENCE | a | b | c | d | e | Distance between tubes | Weight |
|----------------|-------|---------|-------|-------|---------|------------------------|--------|
| TJ 100 | 57 mm | 185 mm | 25 mm | 52 mm | 147 mm | 171 mm | 290 g |
| TJ 150 | 57 mm | 243 mm | 25 mm | 52 mm | 205 mm | 229 mm | 310 g |
| TJ 200 | 57 mm | 314 mm | 25 mm | 52 mm | 276 mm | 300 mm | 330 g |
| TJ 300 | 57 mm | 430 mm | 25 mm | 52 mm | 392 mm | 416 mm | 450 g |
| TJ 400 | 57 mm | 545 mm | 25 mm | 52 mm | 507 mm | 531 mm | 550 g |
| TJ 600 | 57 mm | 777 mm | 25 mm | 52 mm | 739 mm | 763 mm | 790 g |
| TJ 800 | 57 mm | 1008 mm | 25 mm | 52 mm | 970 mm | 994 mm | 1010 g |
| TJ 1000 | 57 mm | 1239 mm | 25 mm | 52 mm | 1201 mm | 1225 mm | 1280 g |



MOUNTING

Mount the manometer on a wall or partition wall with two maximum Ø 5 screws. Unscrew one of the two connectors and slowly pour the manometric liquid to zero point on the graduation. Remount the connector without overtightening. Connect the manometer with the Ø 5x8 mm crystal tube to the pressure or depression source to be checked.

NOTE :

- For a pressure measurement : connect the crystal tube to the right-hand connector (+).
- For a depression measurement : connect the crystal tube to the left-hand connector (-).
- For a differential pressure measurement : connect the highest pressure to the right-hand connector (+) and the lowest pressure to the left-hand connector (-).

MAINTENANCE : TJ manometers require no special maintenance other than simply changing the reading liquid once a year.

www.kimo.fr

EXPORT DEPARTMENT

BP 48. Bld de Beaubourg - Emerainville
F-77312 MARNE LA VALLEE CEDEX 2 - FRANCE
Tel : 33. 1. 60. 06. 69. 25
Fax : 33. 1. 60. 06. 69. 29
e-mail : kimo.export@kimo.fr



Distributed by :